



Hangcha Europe GmbH

Mariechen-Graulich-Straße 12a,
65439 Flörsheim am Main,
Germany

Tel: 0049-61453769188
E-mail: admin@hangchaeurope.com

Mob: 0049-16096548808 (Thomas Dittrich)
E-mail: thomas.dittrich@hangchaeurope.com
Zip Code Area (1,2,3,4,5,6,7)

Mob: 0049-1605272481 (Jens ABmuth)
E-mail: jens.assmuth@hangchaeurope.com
Zip Code Area (0,8,9)

www.hangchaeurope.com



Follow us on
Instagram



Follow us on
Facebook



Follow us on
YouTube



Download "Hangcha
Forklift" App



ISO14001
ISO14001:2015



ISO9001
ISO9001:2015



HANGCHA trucks conform
to the European Safety
Requirements.

2022 VERSION 3/COPYRIGHT 2022/12

HANGCHA GROUP CO., LTD. reserves the right to make any changes without notice concerning colors, equipment, or specifications detailed in this brochure, or to discontinue individual models. The colors of trucks, delivered may differ slightly from those in brochures.



X Series Electric Forklift Truck

with capacities of 6,000 to 10,000kg

The World of Hangcha



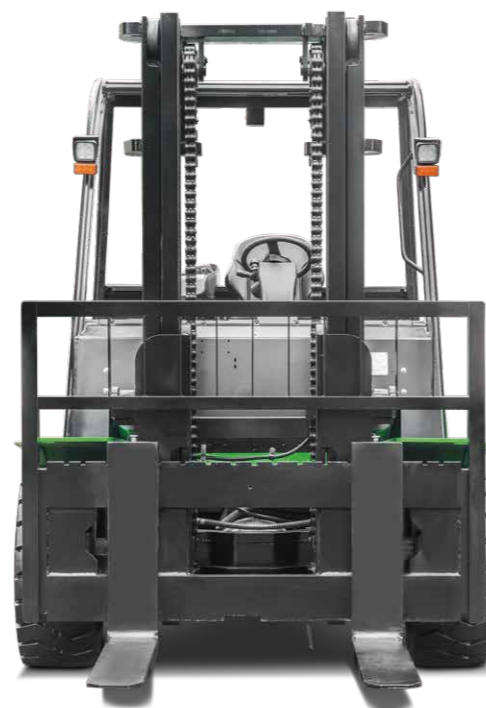


Exterior

- / A new exterior design method is used to form a stylish and elegant exterior with streamlined curved surfaces and smooth ethereal lines.
- / The vehicle is compact, simple and sturdy in appearance.
- / A fully enclosed console space.

Stability

- / Small-diameter solid tires, front and rear battery sets and other technologies are used to enable excellent stability of the vehicle.



Comfort

- / The inclination angle of the ergonomically designed hand wheel is adjustable and the seat can be adjusted 150mm forwards and backwards, so that the operator can choose the best driving position.
- / Two independent hydraulic systems for steering braking and hydraulic lifting respectively are used to ensure the steering braking performance and the combined operations to be carried out.
- / The dashboard, tilt cylinder and flat bottom panel are designed to be fully enclosed to enable more comfortable and safer operations.
- / The multifunctional color-screen instruments have clear human-computer interfaces displaying clear readings.
- / Personalized design: overlarge storage bin, USB port, etc.

Safety

- / The optimized design of the wide-view mast, wide-view overhead guard and low dashboard enables a broader view of the operator and higher safety.
- / The LED headlights and combination lights enable the operator to have a good view in various circumstances.
- / The all-round vision rearview mirror provides a broader rear view and higher driving safety.
- / The intelligent sensing enables buffered descending. When the fork is 100 - 60mm away from the ground, the descending will automatically slow down, so that the goods and pallet will not hit the ground and the goods and ground can be protected effectively.
- / The electronic and hydraulic overload protection devices comply with safety regulations.
- / An optional OPS safety system is provided.

Maintainability

- / The fully open front and rear battery lids easily facilitate battery maintenance.
- / The innovative two-door structure with one door, respectively, on the left and right sides of the forklift easily facilitates the maintenance of the motor, oil pump and electric control of the forklift and enables good resistance to dust and water.
- / The foot panel can be dismantled without a tool and facilitates the overhaul and maintenance of the driving motor and various systems.
- / The brake fluid can be added after the shroud cap and the oil tank cap are opened.
- / An optional laterally-dismounted battery is provided to enable quick replacement of the battery.





Advancement

- / The high-frequency MOSFET integrated controller ensures smooth and accurate driving and lifting control, and has excellent speed regulation performance, good performance of electronic control matching the motor, functions of regenerative braking, reverse braking and anti-sliding on ramps, etc. and high safety and reliability.
- / The branded multifunctional color-screen instruments have the functions of battery display, timer and fault diagnosis and can accurately display information under harsh environments.
- / The branded AC controller enables the forklift's driving, steering, lifting, tilting and other actions to be controlled by a computer.
- / Regenerative braking (when stopping, slowing down, reversing or driving down a ramp, etc., being energy-saving and efficient, the forklift can have its drive motor working as a power generator to charge the battery through the controller.)
- / The main electrical components such as the motor controller, contactor, power plug and emergency cut-off switch are all branded high-quality products.

High speed, high efficiency

- / With several speed gears, the vehicle is adapted to different operating environments.
- / With a high-power driving motor and a high speed ratio gearbox, an 8t vehicle, for example, can have its maximum full-load driving speed increased to 14.5km/h and maximum full-load upslope degree increased by up to 14%.
- / A high-power oil pump motor and a large-displacement silent pump are used to significantly improve the lifting speed. An 8t vehicle, for example, can have its maximum full-load lifting speed increased to 300mm/s.
- / A new compact design concept is adopted to reduce the width of the vehicle.
- / Light weight and low driving power consumption. The brake kinetic energy regeneration system effectively saves on electric power and improves the use time after a single charge.



Options

- / Seamless solid tire
- / Triple and quadruple multiway valves
- / Alarm light
- / Rear LED operation light
- / Blue light
- / Rear reversing armrest horn button
- / Large-capacity battery
- / PVC ceiling
- / Battery charger
- / Chair sensing system
- / Electro-hydraulic proportional valve, thumb switch
- / Video monitoring system
- / Fully-suspended seat
- / Fully enclosed cab
- / Left and right rear view mirrors
- / Free duplex mast
- / Free triplex mast
- / Forks of other lengths
- / Heightened or widened fork carriage
- / Other attachments
- / Double front wheels
- / Battery removed sideways
- / Large tool box, folder

Standard specification

- / AC electric control motor
- / Emergency power off switch
- / Multifunctional color-screen instruments
- / Super-elastic solid tire
- / Two-way multi-way valve
- / Rubber pedal pads of all sizes
- / 3 m duplex wide-field-of-view mast
- / Vehicle LED lights
- / Panoramic rear view mirror
- / Fully hydraulic power steering
- / Angle-adjustable steering column
- / Horn, reversing buzzer
- / Intelligent descending buffering device
- / Traction pin
- / Silent gear pump

Battery Specification

| Battery | Capacity (Ah/5h) | 6t | 7t | 8t | 8t Long wheelbase | 9t | 10t |
|--------------|------------------|----|----|----|-------------------|----|-----|
| Lead-acid | 720 | ● | | | | | |
| | 810 | ○ | ● | | | | |
| | 945 | ○ | ○ | ● | ● | | |
| | 1035 | | ○ | ○ | | | |
| | 1104 | | | | ○ | ● | |
| | 1260 | | | | ○ | ○ | ● |
| CATL Lithium | 1380 | | | | ○ | ○ | ○ |
| | 542 | ● | ● | ● | | | |
| | 606 | ○ | ○ | ○ | ● | ● | ● |
| | 813 | ○ | ○ | ○ | ○ | ○ | ○ |

Note: ● Battery Std. ○ Battery Opt;

6.0-8.0t tyre options

| Model | Solid tyres and dimensions spec. | | | | Pneumatic tyres and dimensions spec. | | | | | | |
|-------|----------------------------------|---|-----------------|---|--------------------------------------|------|-----------------------------|-------------|---|------|------|
| | Tyre size, front | | Tyre size, rear | | Tyre size, front | | Tyre size, rear | | | | |
| CPD60 | 355/65-15(single tyre) | ● | 250-15 | ● | 1574 | 1870 | 355/65-15-24PR(single tyre) | 250-15-18PR | ○ | 1574 | 1940 |
| | 8.25-15(dual tyre) | ○ | 250-15 | ● | 1489 | 1970 | 8.25-15-14PR(dual tyre) | 250-15-18PR | ○ | 1489 | 2000 |
| CPD70 | 355/65-15(single tyre) | ● | 250-15 | ● | 1574 | 1870 | 355/65-15-24PR(single tyre) | 250-15-18PR | ○ | 1574 | 1940 |
| | 8.25-15(dual tyre) | ○ | 250-15 | ● | 1489 | 1970 | 8.25-15-14PR(dual tyre) | 250-15-18PR | ○ | 1489 | 2000 |
| CPD80 | 355/50-20(single tyre) | ● | 250-15 | ● | 1623 | 1945 | - | - | ○ | - | - |
| | 8.25-15(dual tyre) | ○ | 250-15 | ● | 1489 | 1970 | 8.25-15-14PR(dual tyre) | 250-15-18PR | ○ | 1489 | 2000 |

Note: ● Std. ○ Opt;

FORKLIFT TRUCK FOR WORK IN CONTAINER



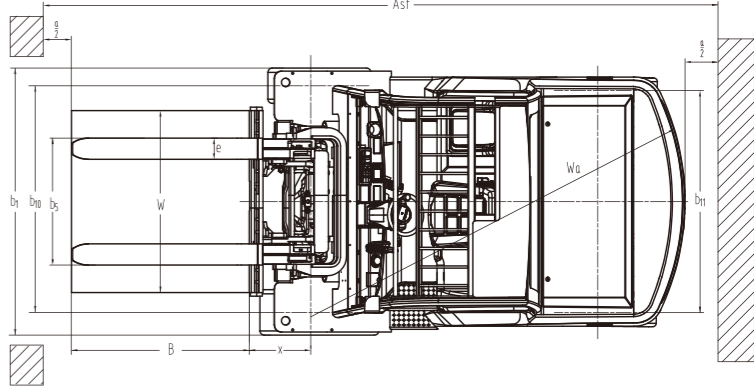
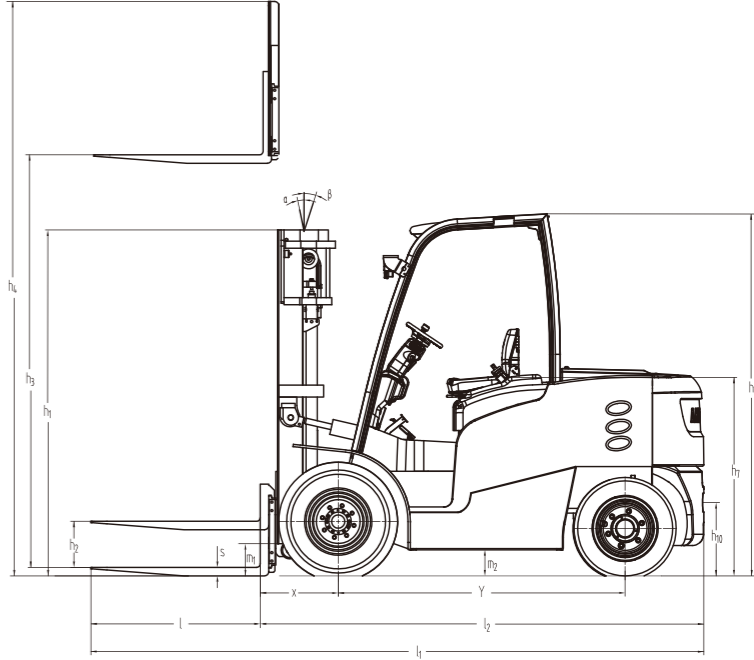
X series lithium battery forklift truck for work in container

| | | | CPD60-XC4-IX | CPD70-XC4-IX | CPD80-XC4-IX | CPD80-XLC4-IX | CPD90-XC4-IX | CPD100-XC4-IX |
|-----|---|--------------------------|--------------|--------------|--------------|---------------|--------------|---------------|
| 4.1 | Tilt of mast/fork carriage forward/backward | $\alpha/\beta(^{\circ})$ | 5/10 | 5/10 | 5/10 | 5/8 | 5/8 | 5/8 |
| 4.2 | Height, mast lowered | h1(mm) | 2185 | 2185 | 2185 | 2200 | 2200 | 2200 |
| 4.3 | Free lift | h2(mm) | 1048 | 1048 | 1063 | 680 | 680 | 680 |
| 4.4 | Lift | h3(mm) | 2500 | 2500 | 2200 | 2000 | 2000 | 2000 |
| 4.5 | Height, mast extended | h4(mm) | 3637 | 3637 | 3337 | 3520 | 3520 | 3520 |
| 4.7 | Height of overhead guard (cabin) | h6(mm) | 2230 | 2230 | 2230 | 2230 | 2230 | 2230 |

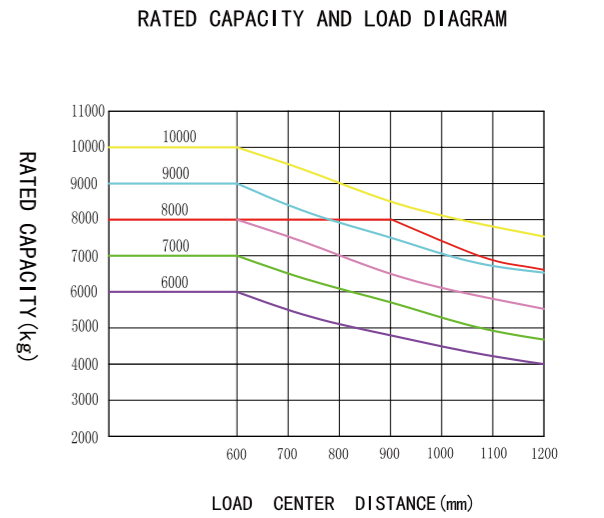
Note: Std. Full free duplex mast

X Series 6.0-10t Electric Forklift Specification

| Distinguishing mark | Item | HANGCHA GROUP CO.,LTD. | | | | | | | | | | | | | | |
|---------------------|---------------------|---|---|--------------|--------------|--------------|--------------|--------------|--------------|--------------|--------------|--------------|--------------|--------------|-------------|-------------|
| | | CPD60-XC4 | CPD70-XC4 | CPD80-XC4 | CPD80-XLC4 | CPD90-XC4 | CPD100-XC4 | CPD60-XC4-I | CPD70-XC4-I | CPD80-XC4-I | CPD80-XLC4-I | CPD90-XC4-I | CPD100-XC4-I | | | |
| | 1.1 | Manufacturer | HANGCHA GROUP CO.,LTD. | | | | | | | | | | | | | |
| | 1.2 | Manufacturer's type designation | CPD60-XC4 | CPD70-XC4 | CPD80-XC4 | CPD80-XLC4 | CPD90-XC4 | CPD100-XC4 | CPD60-XC4-I | CPD70-XC4-I | CPD80-XC4-I | CPD80-XLC4-I | CPD90-XC4-I | CPD100-XC4-I | | |
| | 1.3 | Drive: electric (battery or mains), diesel, petrol, fuel gas | Electric | Electric | Electric | Electric | Electric | Electric | Electric | Electric | Electric | Electric | Electric | Electric | Electric | Electric |
| | 1.4 | Operator type: hand, pedestrian, standing, seated, order-picker | Seated | Seated | Seated | Seated | Seated | Seated | Seated | Seated | Seated | Seated | Seated | Seated | Seated | Seated |
| | 1.5 | Rated capacity/rated load | Q (kg) | 6000 | 7000 | 8000 | 8000 | 9000 | 10000 | 6000 | 7000 | 8000 | 8000 | 9000 | 10000 | 10000 |
| | 1.6 | Load centre distance | c (mm) | 600 | 600 | 600 | 900 | 600 | 600 | 600 | 600 | 600 | 900 | 600 | 600 | 600 |
| | 1.8 | Load distance, centre of drive axle to fork | x (mm) | 598.5 | 603.5 | 623.5 | 640 | 640 | 640 | 598.5 | 603.5 | 623.5 | 640 | 640 | 640 | 640 |
| | 1.9 | Wheelbase | y (mm) | 2030 | 2030 | 2030 | 2500 | 2500 | 2500 | 2030 | 2030 | 2030 | 2500 | 2500 | 2500 | 2500 |
| | Weight | 2.1 | Service Weight | kg | 9600 | 10280 | 12180 | 13530 | 12960 | 13780 | 9030 | 9400 | 11230 | 12480 | 11750 | 13180 |
| 2.2 | | Axle loading, laden front/rear | kg | 13600/2000 | 15180/2100 | 17710/2470 | 19130/2400 | 19560/2400 | 21230/2550 | 13190/1840 | 14550/1850 | 17270/1970 | 18080/2400 | 18620/2130 | 20630/2550 | |
| 2.3 | | Axle loading, unladen front/rear | kg | 4000/5600 | 3950/6300 | 4890/7290 | 6030/7500 | 5910/7050 | 6080/7700 | 3650/5380 | 3400/6000 | 4450/6780 | 4980/7500 | 4980/6770 | 5480/7700 | |
| Tyres, chassis | 3.1 | Tyres: solid rubber, superelastic, pneumatic, polyurethane | SE | SE | SE | SE | SE | SE | SE | SE | SE | SE | SE | SE | SE | |
| | 3.2 | Tyre size, front | | 355/65-15 | 355/65-15 | 355/50-20 | 8.25-15 | 8.25-15 | 300-15 | 355/65-15 | 355/65-15 | 355/50-20 | 8.25-15 | 8.25-15 | 300-15 | |
| | 3.3 | Tyre size, rear | | 250-15 | 250-15 | 250-15 | 250-15 | 250-15 | 250-15 | 250-15 | 250-15 | 250-15 | 250-15 | 250-15 | 250-15 | |
| | 3.5 | Wheels, number front / rear (x = driven wheels) | | 2x/2 | 2x/2 | 2x/2 | 4x/2 | 4x/2 | 4x/2 | 2x/2 | 2x/2 | 2x/2 | 4x/2 | 4x/2 | 4x/2 | |
| | 3.6 | Tread, front | b10 (mm) | 1574 | 1574 | 1623 | 1489 | 1489 | 1493 | 1574 | 1574 | 1623 | 1489 | 1489 | 1493 | |
| | 3.7 | Tread, rear | b11 (mm) | 1536.5 | 1536.5 | 1536.5 | 1536.5 | 1536.5 | 1536.5 | 1536.5 | 1536.5 | 1536.5 | 1536.5 | 1536.5 | 1536.5 | |
| | Dimensions | 4.1 | Tilt of mast/fork carriage forward/backward | α/β(°) | 5/10 | 5/10 | 5/10 | 5/10 | 5/10 | 5/10 | 5/10 | 5/10 | 5/10 | 5/10 | 5/10 | 5/10 |
| 4.2 | | Height, mast lowered | h1 (mm) | 2500 | 2500 | 2650 | 2700 | 2700 | 2700 | 2500 | 2500 | 2650 | 2700 | 2700 | 2700 | |
| 4.3 | | Free lift | h2 (mm) | 160 | 160 | 175 | 200 | 190 | 200 | 160 | 160 | 175 | 200 | 190 | 200 | |
| 4.4 | | Lift | h3 (mm) | 3000 | 3000 | 3000 | 3000 | 3000 | 3000 | 3000 | 3000 | 3000 | 3000 | 3000 | 3000 | |
| 4.5 | | Height, mast extended | h4 (mm) | 4407 | 4407 | 4407 | 4530 | 4530 | 4530 | 4407 | 4407 | 4407 | 4530 | 4530 | 4530 | |
| 4.7 | | Height of overhead guard (cabin) | h5 (mm) | 2565 | 2565 | 2565 | 2565 | 2565 | 2565 | 2565 | 2565 | 2565 | 2565 | 2565 | 2565 | |
| 4.8 | | Seat height/stand height | h7 (mm) | 1430 | 1430 | 1430 | 1430 | 1430 | 1430 | 1430 | 1430 | 1430 | 1430 | 1430 | 1430 | |
| 4.12 | | Coupling height | h10 (mm) | 423 | 423 | 423 | 423 | 423 | 423 | 423 | 423 | 423 | 423 | 423 | 423 | |
| 4.19 | | Overall length | l1 (mm) | 4395 | 4400 | 4420 | 5505 | 4905 | 4905 | 4395 | 4400 | 4420 | 5505 | 4905 | 4905 | |
| 4.20 | | Length to face of forks | l2 (mm) | 3195 | 3200 | 3220 | 3705 | 3705 | 3705 | 3195 | 3200 | 3220 | 3705 | 3705 | 3705 | |
| 4.21 | | Overall width | b1 (mm) | 1870 | 1870 | 1945 | 1970 | 1970 | 2040 | 1870 | 1870 | 1945 | 1970 | 1970 | 2040 | |
| 4.22 | | Fork dimensions | s/e/l (mm) | 60/150/1200 | 65/150/1200 | 65/200/1200 | 80/200/1800 | 80/170/1200 | 80/170/1200 | 60/150/1200 | 65/150/1200 | 65/200/1200 | 80/200/1800 | 80/170/1200 | 80/170/1200 | |
| 4.23 | | Fork carriage DIN 15 173 --- ISO 2328, class/type A,B | | ISO 2328 4A | ISO 2328 4A | ISO 2328 4A | ISO 2328 4A | ISO 2328 5A | ISO 2328 5A | ISO 2328 4A | ISO 2328 4A | ISO 2328 4A | ISO 2328 4A | ISO 2328 5A | ISO 2328 5A | |
| 4.24 | | Fork-carriage width | b3 (mm) | 1700 | 1700 | 1700 | 1800 | 1800 | 1800 | 1700 | 1700 | 1700 | 1800 | 1800 | 1800 | |
| 4.25 | | Distance between fork-arms | bs (mm) | 300-1700 | 300-1700 | 400-1700 | 400-1800 | 340-1800 | 340-1800 | 300-1700 | 300-1700 | 400-1700 | 400-1700 | 340-1800 | 340-1800 | |
| 4.31 | | Ground clearance, laden, below mast | m1 (mm) | 200 | 200 | 200 | 200 | 200 | 200 | 200 | 200 | 200 | 200 | 200 | 200 | |
| 4.32 | | Ground clearance, centre of wheelbase | m2 (mm) | 183 | 183 | 183 | 183 | 183 | 183 | 183 | 183 | 183 | 183 | 183 | 183 | |
| 4.34.1 | | Aisle width for pallets 1000 x 1220 crossways | As1 (mm) | 4848.5 | 4853.5 | 4873.5 | 5190 | 5180 | 5190 | 4848.5 | 4853.5 | 4873.5 | 5190 | 5180 | 5190 | |
| 4.34.2 | | Aisle width for pallets 1200 x 1000 lengthways | As2 (mm) | 5048.5 | 5053.5 | 5073.5 | 5390 | 5380 | 5390 | 5048.5 | 5053.5 | 5073.5 | 5390 | 5380 | 5390 | |
| 4.35 | | Turning radius | Wa (mm) | 3050 | 3050 | 3050 | 3350 | 3350 | 3350 | 3050 | 3050 | 3050 | 3350 | 3350 | 3350 | |
| Performance data | | 5.1 | Travel speed, laden/unladen | km/h | 15/15.5 | 15/15.5 | 14.5/15.5 | 14.5/15.5 | 13.5/15.5 | 13.5/15.5 | 15/15.5 | 15/15.5 | 14.5/15.5 | 14.5/15.5 | 13.5/15.5 | 13.5/15.5 |
| | | 5.2 | Lift speed, laden/unladen | m/s | 0.34/0.39 | 0.32/0.39 | 0.3/0.39 | 0.3/0.44 | 0.28/0.4 | 0.25/0.4 | 0.34/0.39 | 0.32/0.39 | 0.3/0.39 | 0.3/0.44 | 0.28/0.4 | 0.25/0.4 |
| | | 5.3 | Lowering speed, laden/unladen | m/s | 0.45/0.4 | 0.5/0.34 | 0.545/0.345 | 0.545/0.345 | 0.545/0.345 | 0.545/0.345 | 0.45/0.4 | 0.5/0.34 | 0.545/0.345 | 0.545/0.345 | 0.545/0.345 | 0.545/0.345 |
| | 5.6 | Max. Drawbar pull | N | 36000 | 36000 | 36000 | 36000 | 36000 | 36000 | 36000 | 36000 | 36000 | 36000 | 36000 | 36000 | |
| | 5.8 | Max. gradeability, laden | % | 16 | 15 | 14 | 13 | 12 | 12 | 16 | 15 | 14 | 13 | 12 | 12 | |
| | 5.10 | Service brake | | Hydraulic | Hydraulic | Hydraulic | Hydraulic | Hydraulic | Hydraulic | Hydraulic | Hydraulic | Hydraulic | Hydraulic | Hydraulic | Hydraulic | |
| | | Parking brake | | Mechanical | Mechanical | Mechanical | Mechanical | Mechanical | Mechanical | Mechanical | Mechanical | Mechanical | Mechanical | Mechanical | Mechanical | |
| | Electric-engine | 6.1 | Drive motor rating S2 60 min | kw | 35 | 35 | 35 | 35 | 35 | 35 | 35 | 35 | 35 | 35 | 35 | |
| 6.2 | | Lift motor rating at S3 15% | kw | 40 | 40 | 40 | 52 | 52 | 52 | 40 | 40 | 52 | 52 | 52 | | |
| 6.3 | | Battery acc. to DIN 43531/35/36 A,B,C, no | | no | no | no | no | no | no | no | no | no | no | no | no | |
| 6.4 | | Battery voltage, nominal capacity K5 | V/Ah | 96/720 | 96/810 | 96/945 | 96/945 | 96/1104 | 96/1260 | 96/542 | 96/542 | 96/542 | 96/606 | 96/606 | 96/606 | |
| 6.5 | | Battery weight | kg | 2310 | 2510 | 2820 | 2880 | 3430 | 3880 | 580 | 580 | 580 | 638 | 638 | 638 | |
| | Battery dimensions | l/b/h(mm) | 1420×610×570 | 1420×610×570 | 1420×610×570 | 1420×825×570 | 1420×825×570 | 1420×825×570 | 1420×610×580 | 1420×610×580 | 1420×610×580 | 1500×610×625 | 1500×610×625 | 1500×610×625 | | |
| | Max. battery weight | kg | 2970 | 3500 | 3500 | 4720 | 4720 | 4720 | 780 | 780 | 780 | 780 | 780 | | | |
| | Min. battery weight | kg | 2310 | 2510 | 2820 | 2880 | 3430 | 3880 | 580 | 580 | 580 | 638 | 638 | 638 | | |
| 8.1 | Type of drive unit | | MOSFET/AC | MOSFET/AC | MOSFET/AC | MOSFET/AC | MOSFET/AC | MOSFET/AC | MOSFET/AC | MOSFET/AC | MOSFET/AC | MOSFET/AC | MOSFET/AC | MOSFET/AC | | |
| | 9.1 | Manufacturer/Type | | CURTIS | CURTIS | CURTIS | CURTIS | CURTIS | CURTIS | CURTIS | CURTIS | CURTIS | CURTIS | CURTIS | | |
| Addition data | 10.1 | Operating pressure for attachments | bar | 190 | 190 | 190 | 190 | 190 | 190 | 190 | 190 | 190 | 190 | 190 | | |
| | 10.2 | Oil volume for attachments | l/min | 120 | 120 | 120 | 120 | 180 | 180 | 120 | 120 | 120 | 180 | 180 | | |
| | 10.3 | Hydraulic Tank - capacity (drain & refill) | liter | 98 | 98 | 98 | 153 | 153 | 153 | 98 | 98 | 98 | 153 | 153 | | |
| | 10.8 | Towing coupling, type DIN 15170 | | φ40 Pin | φ40 Pin | φ40 Pin | φ40 Pin | φ40 Pin | φ40 Pin | φ40 Pin | φ40 Pin | φ40 Pin | φ40 Pin | φ40 Pin | | |



As1=B+x+Wa+a B: Length of load or forks which is longer a=200mm safety clearance



Mast Specification

| Type | Max. fork height | Lowered | Overall height | | Free lift | | Tilt range | | Capacity | |
|----------------|------------------|---------|----------------|------------------|---------------|------------------|------------|-----|------------------------|------|
| | | | With backrest | Without backrest | With backrest | Without backrest | F | R | load capacity at 600mm | |
| | | | mm | mm | mm | mm | (°) | (°) | 6t | 7t |
| STD .Duplex | 2500 | 2250 | 3907 | 3495/3667 | 160 | 160 | 5 | 10 | 6000 | 7000 |
| | 2700 | 2350 | 4107 | 3695/3867 | 160 | 160 | 5 | 10 | 6000 | 7000 |
| | 3000 | 2500 | 4407 | 3995/4167 | 160 | 160 | 5 | 10 | 6000 | 7000 |
| | 3300 | 2650 | 4707 | 4295/4467 | 160 | 160 | 5 | 10 | 6000 | 7000 |
| | 3600 | 2800 | 5007 | 4595/4767 | 160 | 160 | 5 | 10 | 6000 | 7000 |
| | 4000 | 3000 | 5407 | 4995/5167 | 160 | 160 | 5 | 10 | 6000 | 7000 |
| | 4300 | 3200 | 5707 | 5300/5467 | 160 | 160 | 5 | 8 | 6000 | 7000 |
| | 4500 | 3300 | 5907 | 5500/5667 | 160 | 160 | 5 | 8 | 6000 | 7000 |
| | 4800 | 3450 | 6207 | 5800/5967 | 160 | 160 | 5 | 8 | 5800 | 6700 |
| | 5000 | 3550 | 6407 | 6000/6167 | 160 | 160 | 5 | 8 | 5700 | 6500 |
| | 5500 | 3850 | 6907 | 6550/6667 | 160 | 160 | 5 | 8 | 5400 | 6200 |
| | 6000 | 4100 | 7407 | 7050/7167 | 160 | 160 | 5 | 8 | 5000 | 5900 |
| Full Free Lift | 2500 | 2185 | 3637 | 3455/3615 | 1048 | 1230/1070 | 5 | 10 | 6000 | 7000 |
| | 2700 | 2300 | 3837 | 3655/3815 | 1163 | 1345/1185 | 5 | 10 | 6000 | 7000 |
| | 3000 | 2450 | 4137 | 3955/4115 | 1313 | 1495/1335 | 5 | 10 | 6000 | 7000 |
| | 3300 | 2600 | 4437 | 4255/4415 | 1463 | 1645/1485 | 5 | 10 | 6000 | 7000 |
| | 3600 | 2750 | 4737 | 4555/4715 | 1613 | 1795/1635 | 5 | 10 | 5800 | 6800 |
| | 4000 | 2950 | 5137 | 4955/5115 | 1813 | 1995/1835 | 5 | 10 | 5800 | 6800 |
| Triplex | 4500 | 2725 | 5907 | 5735 | 1328 | 1500 | 5 | 8 | 5700 | 6700 |
| | 4800 | 2825 | 6207 | 6035 | 1428 | 1600 | 5 | 8 | 5600 | 6600 |
| | 5000 | 2875 | 6407 | 6213 | 1478 | 1672 | 5 | 8 | 5500 | 6400 |
| | 5500 | 3075 | 6907 | 6785 | 1678 | 1800 | 5 | 8 | 5300 | 6200 |
| | 6000 | 3225 | 7407 | 7235 | 1828 | 2000 | 5 | 8 | 5200 | 5800 |

Mast Specification

| Type | Max. fork height | Lowered | Overall height | | Free lift | | Tilt range | | Capacity | | |
|----------------|------------------|---------|----------------|------------------|---------------|------------------|------------|----|------------------------|-------|------------------------|
| | | | With backrest | Without backrest | With backrest | Without backrest | F | R | load capacity at 600mm | | load capacity at 900mm |
| | | | mm | mm | mm | mm | mm | mm | (°) | (°) | 9t |
| STD .Duplex | 2500 | 2450 | 4030 | 3900 | 200 | 200 | 5 | 8 | 9000 | 10000 | 8000 |
| | 2700 | 2550 | 4230 | 4100 | 200 | 200 | 5 | 8 | 9000 | 10000 | 8000 |
| | 3000 | 2700 | 4530 | 4400 | 200 | 200 | 5 | 10 | 9000 | 10000 | 8000 |
| | 3300 | 2850 | 4830 | 4700 | 200 | 200 | 5 | 10 | 9000 | 10000 | 8000 |
| | 3600 | 3000 | 5130 | 5000 | 200 | 200 | 5 | 10 | 9000 | 10000 | 8000 |
| | 4000 | 3200 | 5530 | 5400 | 200 | 200 | 5 | 10 | 9000 | 10000 | 8000 |
| | 4300 | 3400 | 5830 | 5700 | 200 | 200 | 5 | 8 | 9000 | 10000 | 8000 |
| | 4500 | 3500 | 6030 | 5900 | 200 | 200 | 5 | 8 | 8500 | 9500 | 7800 |
| | 4800 | 3650 | 6330 | 6200 | 200 | 200 | 5 | 8 | 8400 | 9400 | 7600 |
| | 5000 | 3750 | 6530 | 6440 | 200 | 200 | 5 | 8 | 8300 | 9300 | 7400 |
| | 5500 | 4050 | 7030 | 6900 | 200 | 200 | 5 | 8 | 8100 | 9100 | 7200 |
| | 6000 | 4300 | 7530 | 7400 | 200 | 200 | 5 | 8 | 7700 | 8700 | 6900 |
| Full Free Lift | 3000 | 2700 | 4520 | 4390 | 1180 | 1310 | 5 | 10 | 9000 | 10000 | 8000 |
| | 3300 | 2850 | 4820 | 4690 | 1330 | 1460 | 5 | 10 | 9000 | 10000 | 8000 |
| | 3600 | 3000 | 5120 | 4990 | 1480 | 1610 | 5 | 10 | 8900 | 9900 | 8000 |
| | 4000 | 3200 | 5520 | 5390 | 1680 | 1810 | 5 | 10 | 8700 | 9700 | 7800 |
| Triplex | 4500 | 2850 | 6055 | 6055 | 1305 | 1305 | 5 | 8 | 8600 | 9600 | 7600 |
| | 4800 | 2950 | 6355 | 6355 | 1405 | 1405 | 5 | 8 | 8200 | 9200 | 7500 |
| | 5000 | 3050 | 6555 | 6555 | 1505 | 1505 | 5 | 8 | 8000 | 9000 | 7400 |
| | 5500 | 3200 | 7055 | 7055 | 1655 | 1655 | 5 | 8 | 7900 | 8900 | 7200 |
| | 6000 | 3350 | 7555 | 7555 | 1805 | 1805 | 5 | 8 | 7500 | 8500 | 6800 |

Mast Specification

| Type | Max. fork height | Lowered | Overall height | | Free lift | | Tilt range | | Capacity | |
|----------------|------------------|---------|----------------|------------------|---------------|------------------|------------|-----|------------------------|----|
| | | | With backrest | Without backrest | With backrest | Without backrest | F | R | load capacity at 600mm | |
| | | | mm | mm | mm | mm | (°) | (°) | 8t | kg |
| STD .Duplex | 2500 | 2400 | 3907 | 3817 | 175 | 175 | 5 | 10 | 8000 | |
| | 2700 | 2500 | 4107 | 4017 | 175 | 175 | 5 | 10 | 8000 | |
| | 3000 | 2650 | 4407 | 4317 | 175 | 175 | 5 | 10 | 8000 | |
| | 3300 | 2800 | 4707 | 4617 | 175 | 175 | 5 | 10 | 8000 | |
| | 3600 | 3000 | 5007 | 4917 | 175 | 175 | 5 | 10 | 8000 | |
| | 4000 | 3200 | 5407 | 5317 | 175 | 175 | 5 | 10 | 8000 | |
| | 4300 | 3300 | 5707 | 5617 | 175 | 175 | 5 | 8 | 8000 | |
| | 4500 | 3450 | 5907 | 5817 | 175 | 175 | 5 | 8 | 8000 | |
| | 4800 | 3550 | 6207 | 6117 | 175 | 175 | 5 | 8 | 7700 | |
| | 5000 | 3850 | 6407 | 6317 | 175 | 175 | 5 | 8 | 7500 | |
| | 5500 | 4100 | 6907 | 6817 | 175 | 175 | 5 | 8 | 7200 | |
| | 6000 | 4350 | 7407 | 7317 | 175 | 175 | 5 | 8 | 6900 | |
| Full Free Lift | 3000 | 2600 | 4265 | 4265 | 1335 | 1335 | 5 | 10 | 8000 | |
| | 3300 | 2750 | 4565 | 4565 | 1485 | 1485 | 5 | 10 | 8000 | |
| | 3600 | 2900 | 4865 | 4865 | 1635 | 1635 | 5 | 10 | 7800 | |
| | 4000 | 3100 | 5265 | 5265 | 1835 | 1835 | 5 | 10 | 7800 | |
| Triplex | 4500 | 2725 | 5907 | 5862 | 1328 | 1373 | 5 | 8 | 7600 | |
| | 4800 | 2825 | 6207 | 6162 | 1428 | 1473 | 5 | 8 | 7500 | |
| | 5000 | 2875 | 6407 | 6362 | 1478 | 1523 | 5 | 8 | 7400 | |
| | 5500 | 3075 | 6907 | 6862 | 1678 | 1723 | 5 | 8 | 7200 | |
| | 6000 | 3225 | 7407 | 7362 | 1828 | 1873 | 5 | 8 | 6800 | |

Note: With load backrest; 6-8t Height of standard load backrest is 1270 mm, 8L-10t Height of standard load backrest is 1393 mm.

