



A cost effective solution for positioning the forks on the K-Series Fork Positioners

APPLICATIONS

Provides a simple, cost effective means to position the forks on a K-Series Fork Positioners. Permits the use of a single auxiliary valve to control an additional hydraulic function. Eliminates the need for hydraulic hoses or electric cables and offers a minimum of installation time.

FEATURES

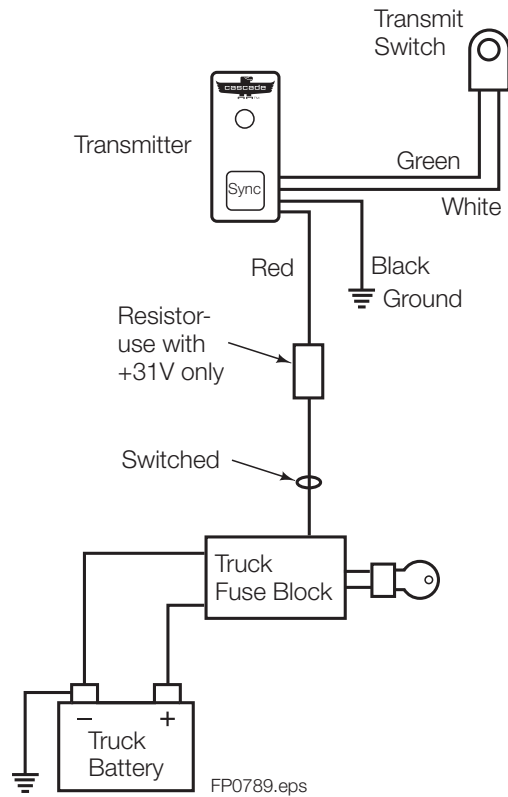
- Long battery life for multiple shift operation
- LED operation and battery life indicator
- Matched transmitter/receiver with synchronization capability
- Rugged encapsulated circuit board enclosure
- Auto sleep mode for extended battery life
- Rechargeable battery

Eliminate the need for hydraulic hoses or electric cables.



Guard protects components.

Description	Catalog Order No.
*Radio Frequency Hydraulic Control FPS	RFHC
Battery Charger - Li-Ion Universal Smart Charger	BACH
Low Profile Switch Kit	6014880
Control Knob Kit	673130
JIC Installation Kit	6055928
ORFS Installation Kit	6055932



CONTROL OPTIONS FOR SOLENOID ADAPTION

Kit includes:

- Operator control knob
- Electrical pigtail



Kit includes:

- Operator control switch
- Electrical pigtail
- Fuse and holder
- Extra wire
- Solderless connectors
- Shrink tubing



Control Knob Kit

In conjunction with the solenoid adaption, provides for controlling two function attachments with one auxiliary valve.

Attachment	Catalog Order No.
Any two function Cascade Attachment	673130 ⓘ

ⓘ These control knobs contain blank function labels in the handle. For control knobs with pre-printed function labels, Consult Cascade.

► For handles spread sufficiently for knob, use knob. For closely nested handles with no room for a knob, use switch (right).

Low Profile Switch Kit

In conjunction with the solenoid adaption, provides for controlling two function attachments with one auxiliary valve.

Attachment	Catalog Order No.
Any two function Cascade Attachment	6014880