



## EPT20-RASS Electric Pallet Truck 2.0t

Fits the Dual Monitoring of Traveling and Steering Motors International Safety Standard;  
Ergonomic Design Offers Perfect Combination of Performance & Safety;  
Best Choice for High Efficiency & Heavy Duty Handling Task,  
Top Driving Speed (Optional) Reaches 12KM/H.

EP EQUIPMENT CO.,LTD  
[www.ep-ep.com](http://www.ep-ep.com)



## FEATURE

### Performance

- The innovative AC system offers strong power, accurate control, excellent performance.
- High strength vertical gearbox, longer working life.
- Low-noise but durable hydraulic unit, good quality cylinder as well as hose ensure the high reliability of hydraulic system.
- AMP connector and durable electric wires greatly reduce malfunctions of components.
- One-time formed fork, box type frame and adjustable linkage extends the life of undercarriage.
- High Speed(Up to 12KM/H Unladen): High Efficiency of Material Handling Operations



### Safety

- Half-surrounded operator compartment design.
- Side leaning position provides wider view when travel forward and backward.
- Safety foot switch avoids operators from misoperating.
- Automatic braking and reverse current braking when foot switch is off or travel switch is neutral.
- Emergency disconnecter will cut off power source to avoid accident when truck goes out of control.
- Anti-rolling back brake keeps the truck from skidding down when truck is out of control or travelling on ramp.
- Dual-monitoring power steering, the top safety design(electric steering).

### Operation

- With the new design of ergonomical tiller head, all buttons are controlled conveniently & comfortably.
- With backrest cushion, support seat, spacious operation room and vibration absorber pedal, operator will feel more comfortable.
- The unique suspension driving floating system(DFA) design, ensures the stability in high speed.
- Side-open battery compartment design for easy replacement and maintenance.
- Electric power steering, smooth & comfortable (EPS).

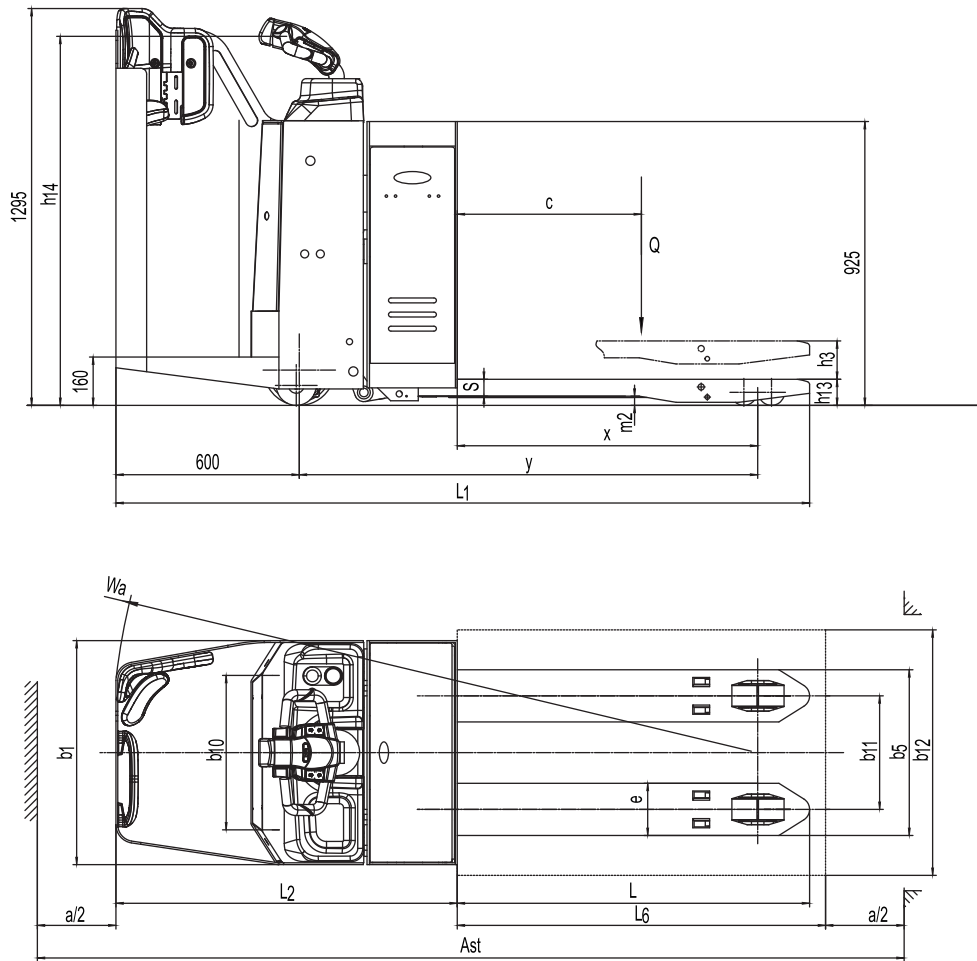
### Maintenance

- AC traction motor, maintenance free.
- Hour meter and battery indicator remind the operator of battery charging.
- Easily remove the back cover by only losing four bolts; Access to all key components for inspection, maintenance and replacement.
- Vertical motor makes the inspection & service much more convenient.
- Control system allows easy trouble-shooting.
- Low voltage lift cut off design protects the battery.

# Electric Pallet Truck 2.0t EPT20-RASS

Distinguishing mark				
1.1	Manufacturer			EP
1.2	Model designation			EPT20-RASS
1.3	Drive unit			Electrics
1.4	Operator type			standing
1.5	rated capacity	Q	kg	2000
1.6	Load center distance	c	mm	600
1.8	Load distance	x	mm	958
1.9	Wheelbase	y	mm	1465
Weight				
2.1	Service weight (include battery)		kg	810
2.2	Axle loading, laden driving side/loading side		kg	1166 / 1644
2.3	Axle loading, unladen driving side/loading side		kg	630 / 180
Types, Chassis				
3.1	Tyre type driving wheels/loading wheels			polyurethane / polyurethane
3.2	Tyre size, driving wheels (diameter×width)		mm	Φ230x75
3.3	Tyre size, loading wheels (diameter×width)		mm	Φ85x70
3.4	Tyre size, caster wheels (diameter×width)		mm	Φ130x55
3.5	Wheels, number driving, caster/loading (x=drive wheels)		mm	1 x +2 / 4
3.6	Track width, front, driving side	b <sub>10</sub>	mm	510
3.7	Track width, rear, loading side	b <sub>11</sub>	mm	370 / 430 / 515
Dimensions				
4.4	Lift height	h <sub>3</sub>	mm	125
4.9	Height drawbar in driving position min./max.	h <sub>14</sub>	mm	1200
4.15	Lowered height	h <sub>13</sub>	mm	85
4.19	Overall length	l <sub>1</sub>	mm	2255
4.20	Length to face of forks	l <sub>2</sub>	mm	1105
4.21	Overall width	b <sub>1</sub> / b <sub>2</sub>	mm	730
4.22	Fork dimensions	s/ e/ l	mm	55 x 170 x 1150
4.25	Outside width of the forks	b <sub>5</sub>	mm	540 / 600 / 685
4.32	Ground clearance, center of wheelbase	m <sub>2</sub>	mm	30
4.34.1	Aisle width for pallets 1000 × 1200 crossways	Ast	mm	2317
4.34.2	Aisle width for pallets 800 × 1200 lengthways	Ast	mm	2517
4.35	Turning radius	Wa	mm	2075
Performance data				
5.1	Travel speed, laden/ unladen	km/ h	km/h	9.0 / 12.0
5.2	Lifting speed, laden/ unladen		m/ s	0.050 / 0.054
5.3	Lowering speed, laden/ unladen		m/ s	0.067 / 0.054
5.8	Max. gradeability, laden/unladen		%	8 / 16
5.10	Service brake type			Electromagnetic
Electric-engine				
6.1	Drive motor rating S2 60 min		kW	2.5
6.2	Lift motor rating at S3 15%		kW	2.2
6.3	The maximum allowed size battery		mm	652 x 270 x 680
6.4	Battery voltage/nominal capacity K5		V/Ah	24 / 280
6.5	Battery weight		kg	250
Addition data				
8.1	Type of drive control			AC
10.5	Steering type			Electronic
10.7	Sound pressure level at the driver's ear		dB(A)	74

- 1.The parameters in the table are of the standard model. For more information, please contact us.
- 2.The parameters are subject to change without notice.



## Option

Options	EPT20-RASS
Fork length	○ 1150/1220
Fork width	○ 685/600/540mm
Double load wheel	●
Single load wheel	●
Fork lowered height	—
Driving wheel	●PU
Balance wheel	—
Battery capacity	●
Lateral change battery	○360AH
cold storage	○
Battery indicator without hour meter	○
Battery indicator with hour meter	●
Water auto-filling system	○
Vertical handler working	—
half speed function in turning	●
Guard arm	—
Special backrest	○1220mm (48in)/1520mm (60in)
Note:	●standard ○option —NA